



fallWORKS

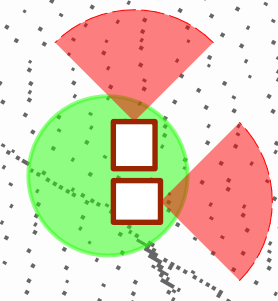
December 1 - 3



UCSD fallWORKS 2022	
Cover	Date : 10/24/2022
UCSD Wagner Dance Building	Scale : NTS
Director : Yolande Snaith	1 OF 7
Designer : Ethan Eldred	
Revisions : PRELIMINARY AV	

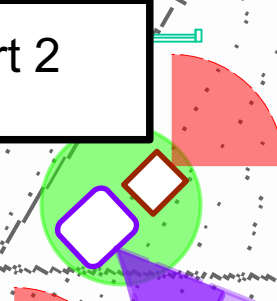
Act 1:
North
Courtyard
Yolande

Cart 1

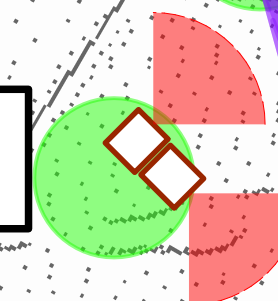


(Act 1b, building hallway)

Cart 2



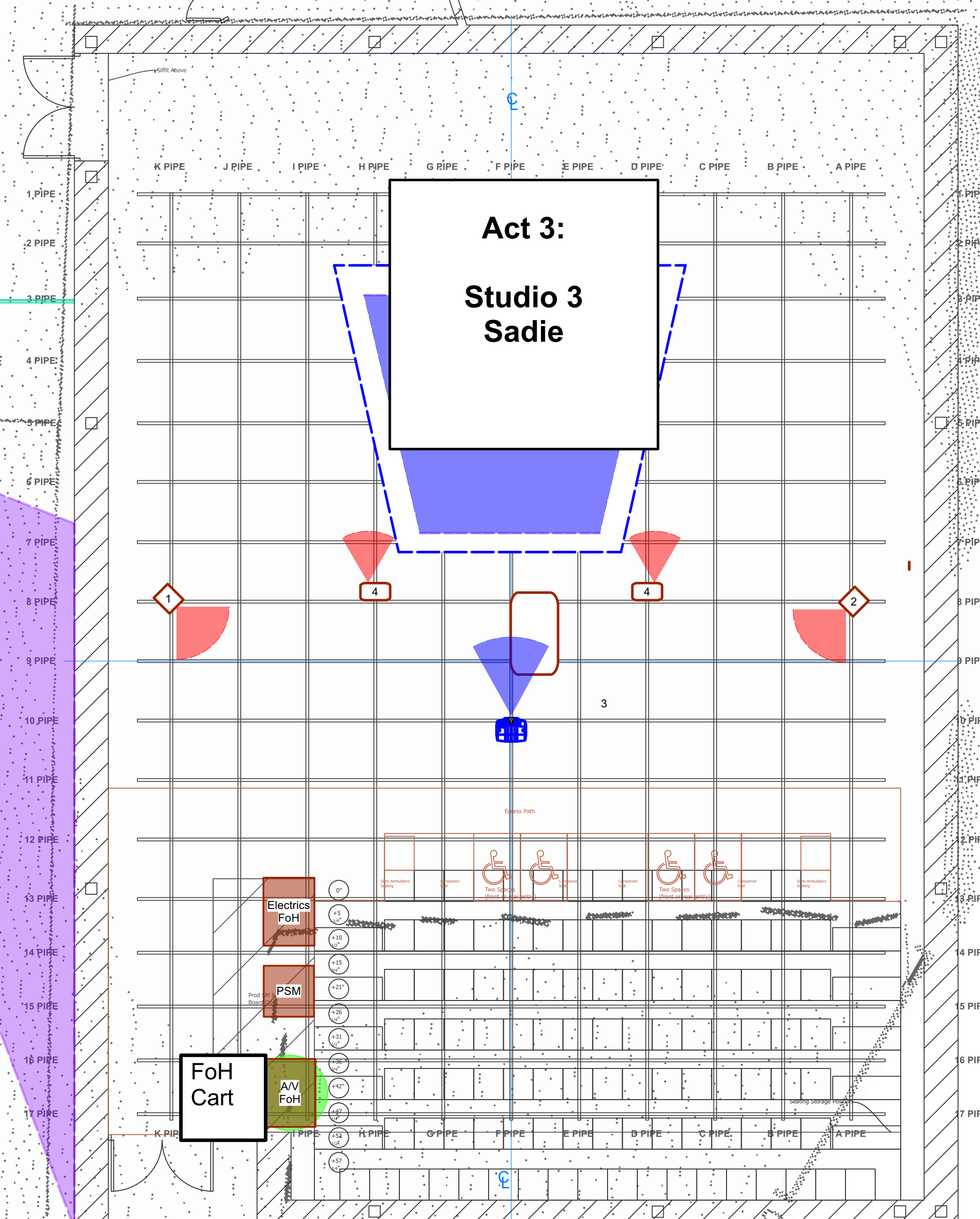
Cart 3



Act 2:
South
Courtyard
Alison

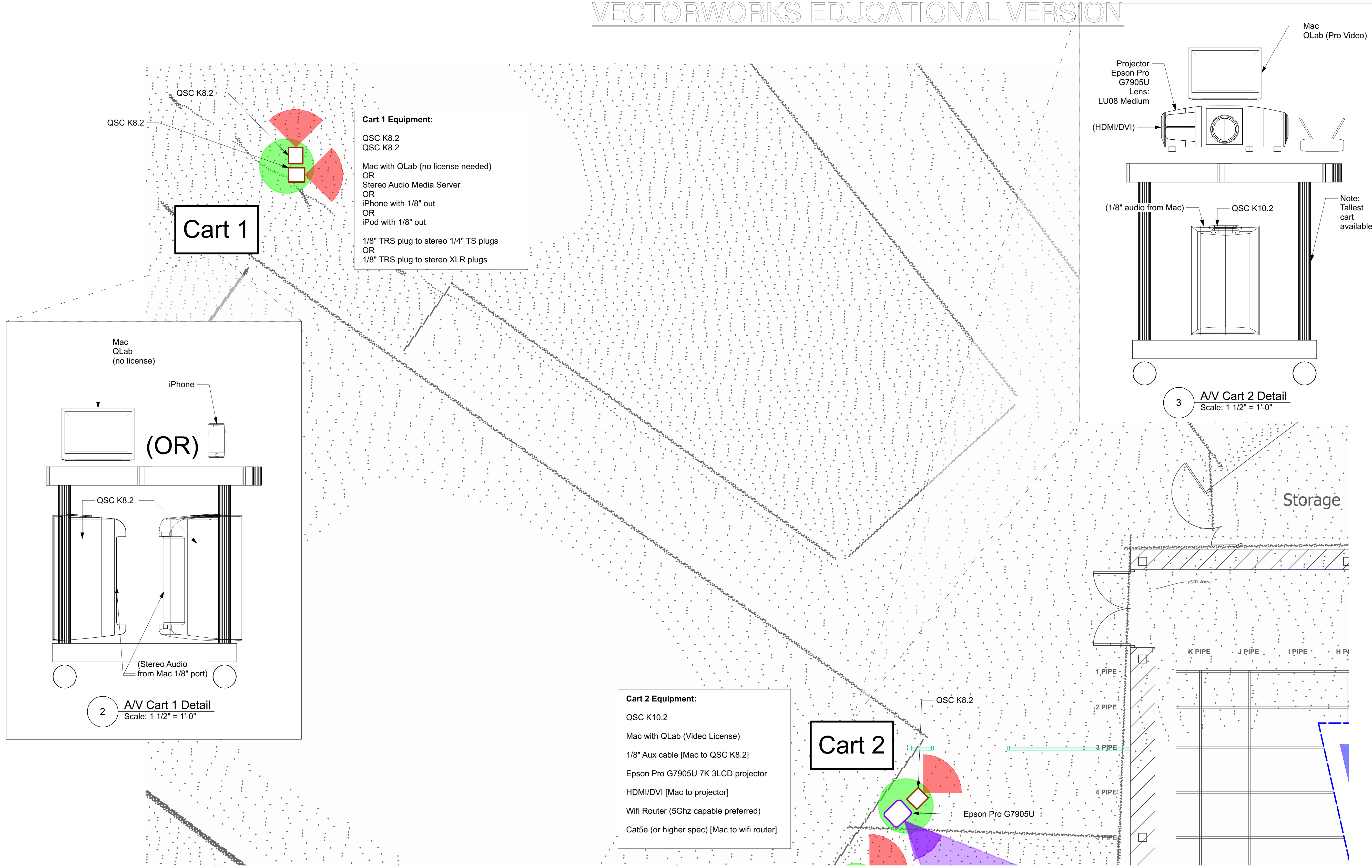
Storage

Act 3:
Studio 3
Sadie

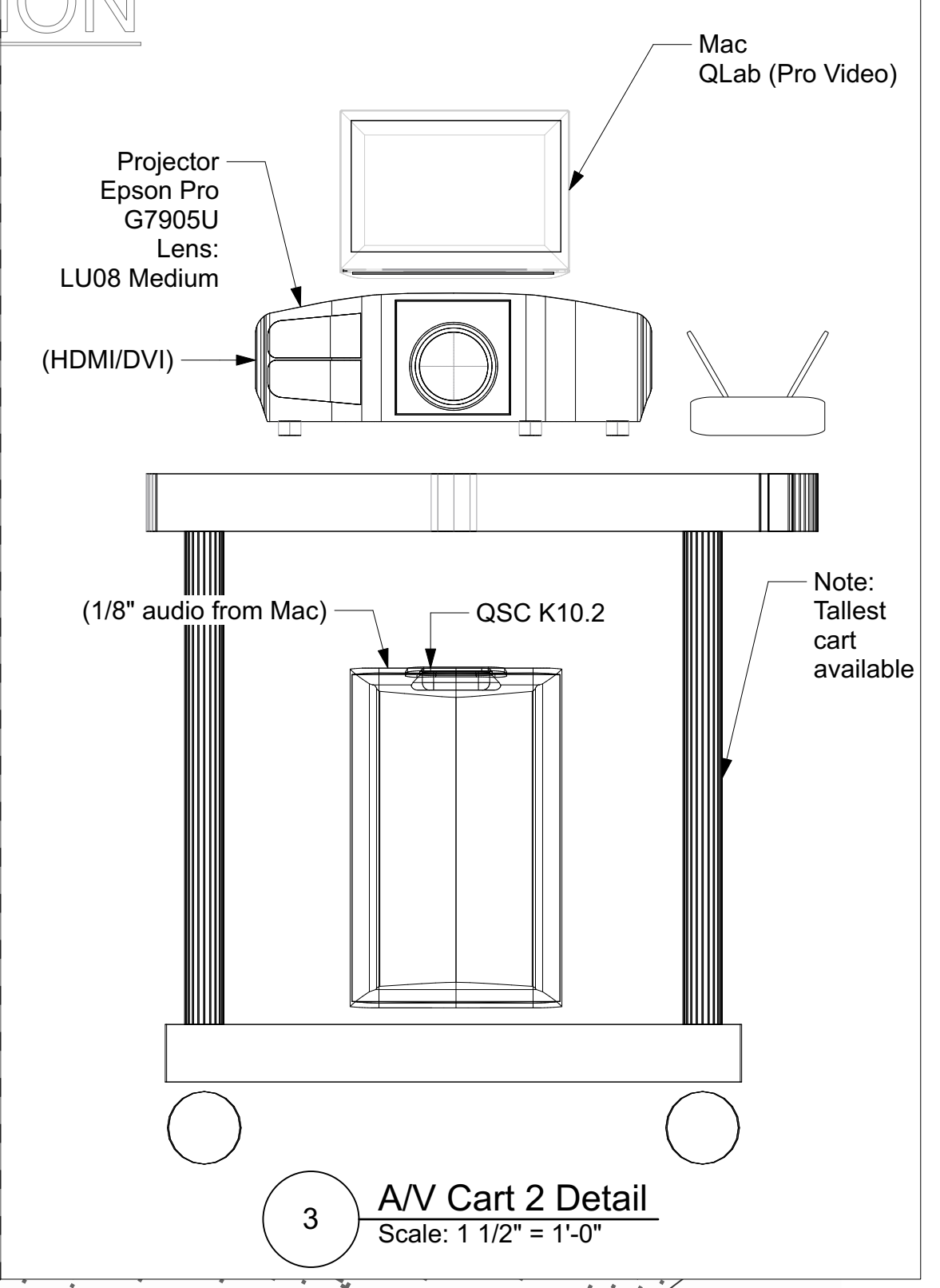


UCSD fallWORKS 2022

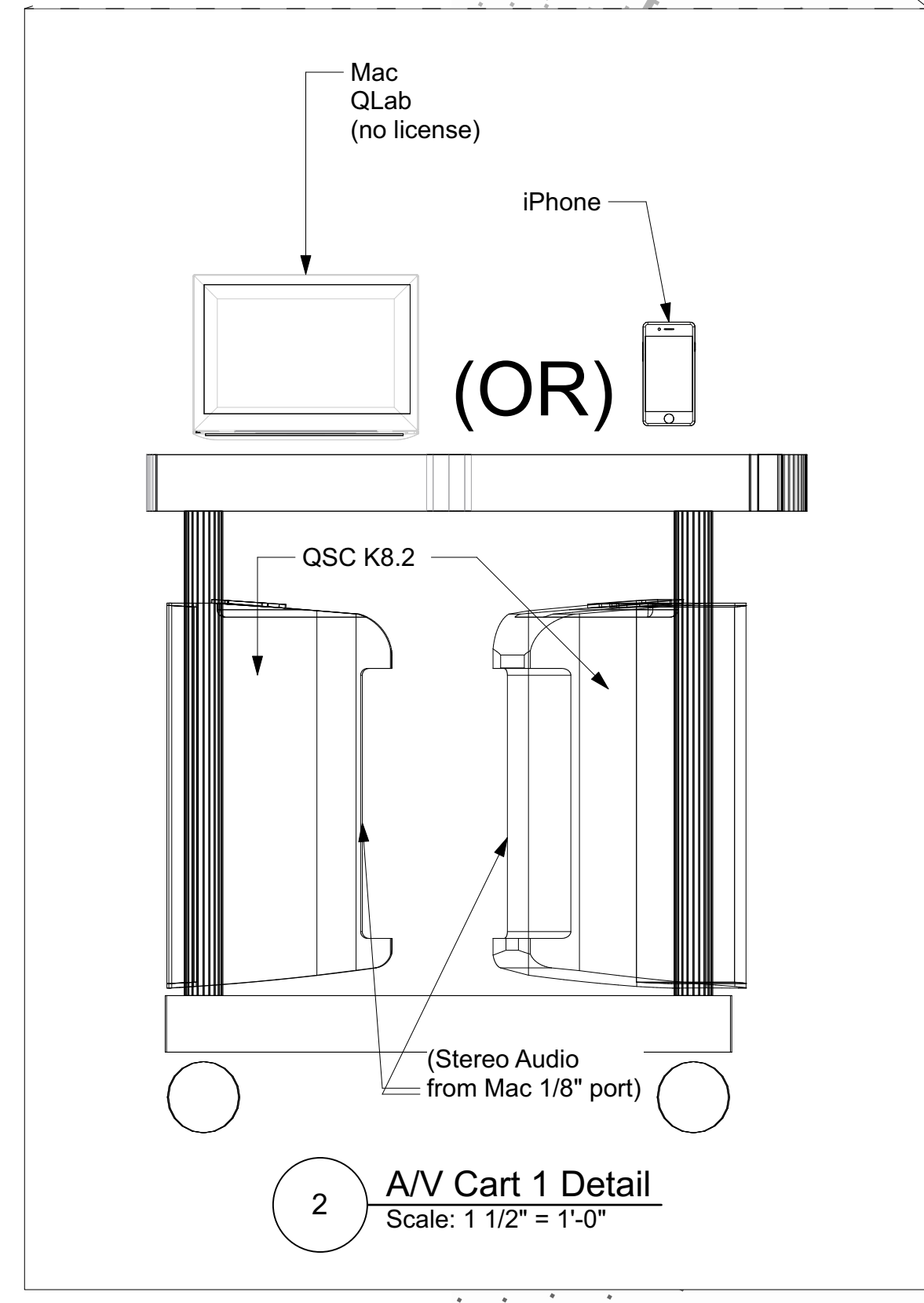
Site Overview	Date : 10/24/2022
UCSD Wagner Dance Building	Scale : 3/16"=1'
Director : Yolande Snaith	2 OF 7
Designer : Ethan Eldred	
Revisions : PRELIMINARY A/V	



Cart 1 Equipment:
 QSC K8.2
 QSC K8.2
 Mac with QLab (no license needed)
 OR
 Stereo Audio Media Server
 OR
 iPhone with 1/8" out
 OR
 iPod with 1/8" out
 1/8" TRS plug to stereo 1/4" TS plugs
 OR
 1/8" TRS plug to stereo XLR plugs



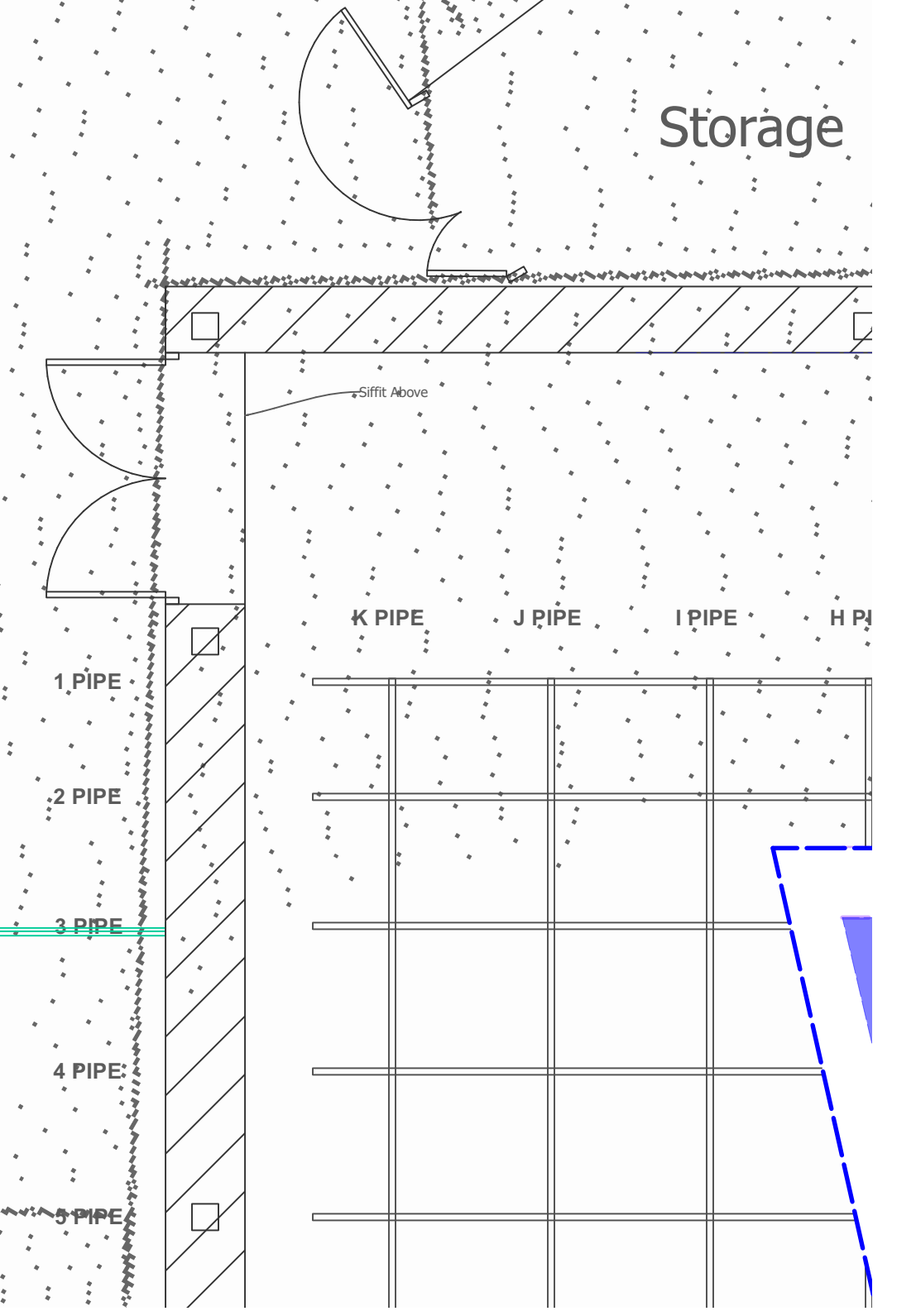
3 AV Cart 2 Detail
 Scale: 1 1/2" = 1'-0"



2 AV Cart 1 Detail
 Scale: 1 1/2" = 1'-0"

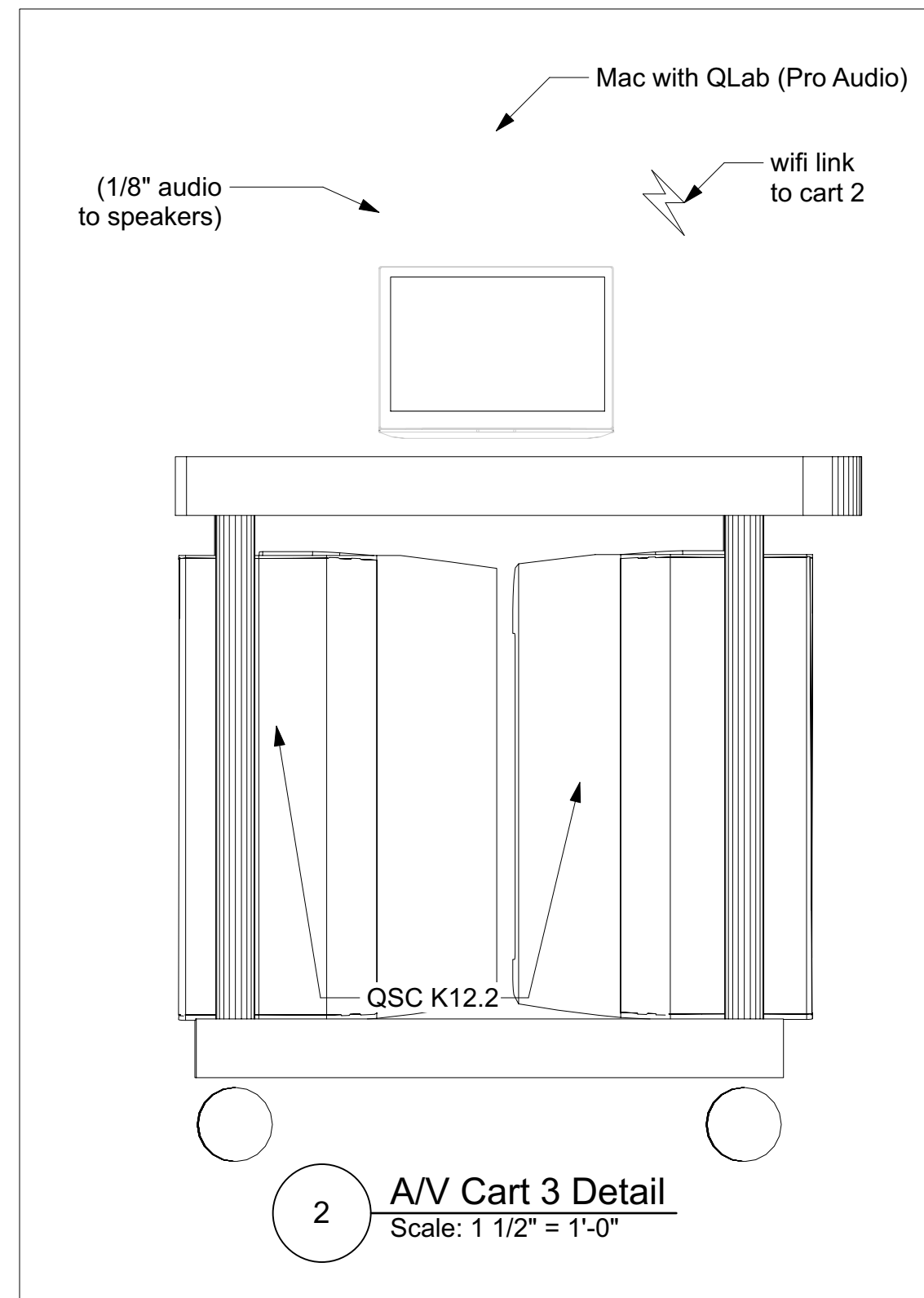
Cart 2 Equipment:
 QSC K10.2
 Mac with QLab (Video License)
 1/8" Aux cable [Mac to QSC K8.2]
 Epson Pro G7905U 7K 3LCD projector
 HDMI/DVI [Mac to projector]
 Wifi Router (5Ghz capable preferred)
 Cat5e (or higher spec) [Mac to wifi router]

Cart 2

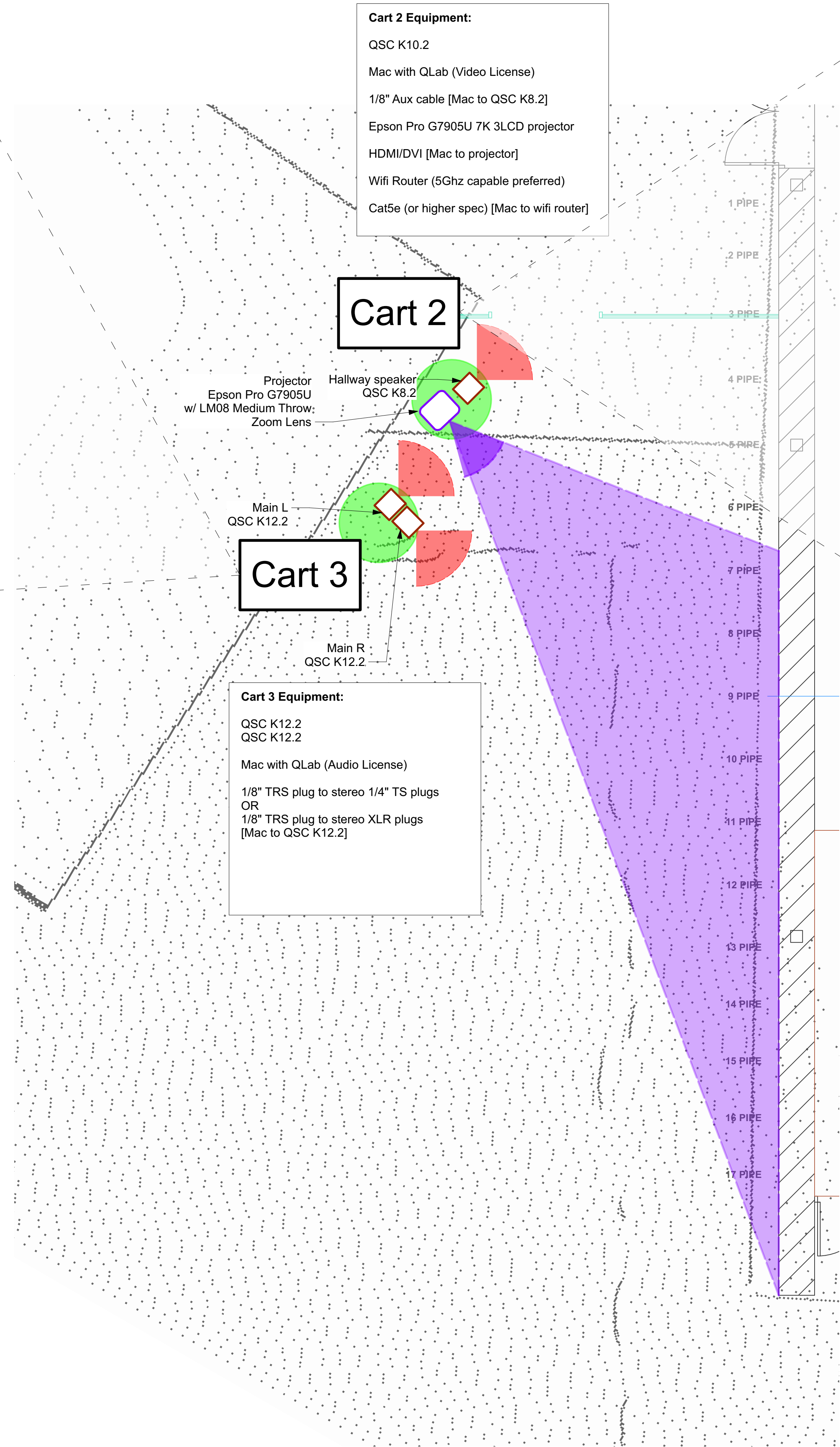
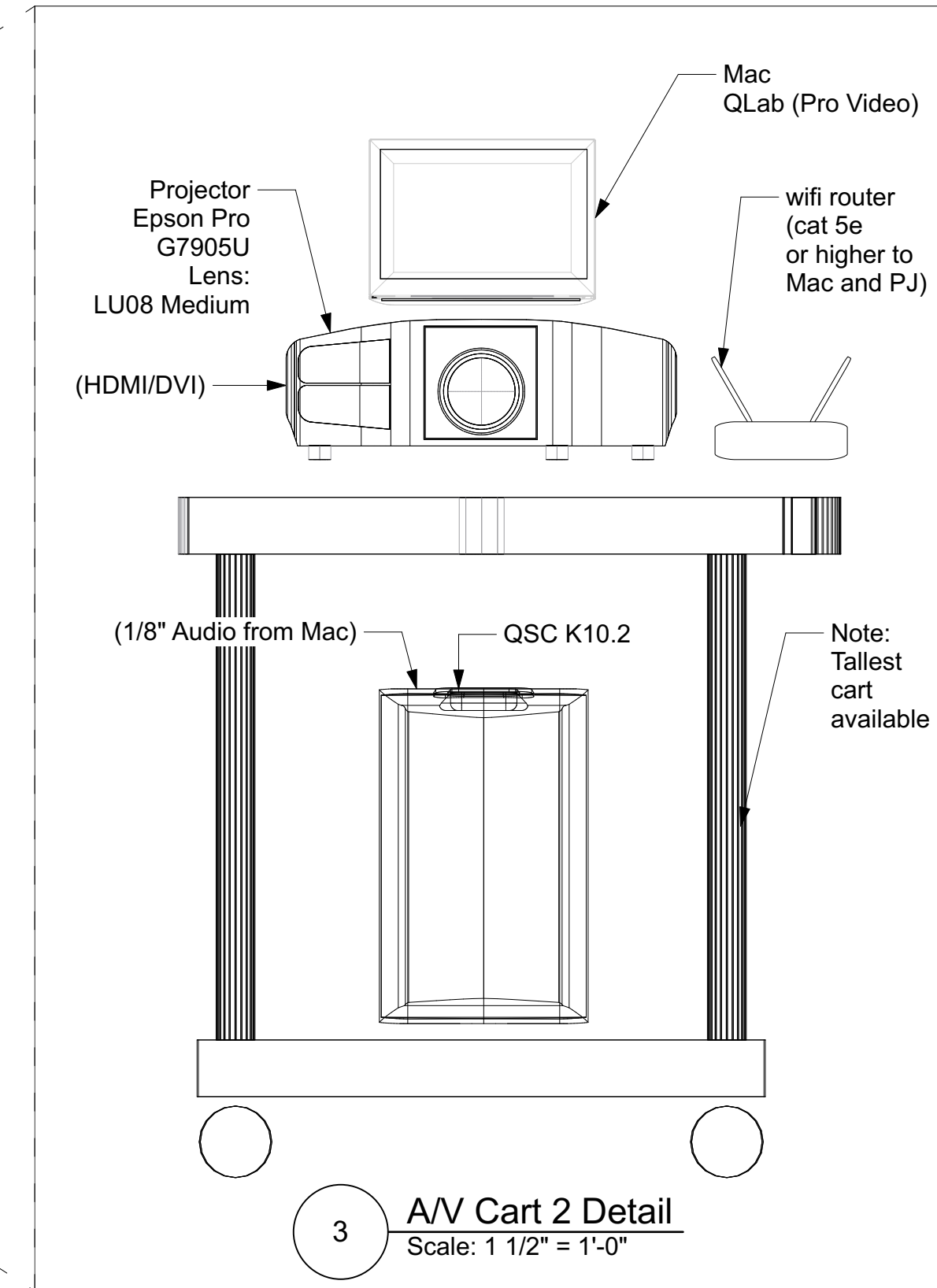


1 ACT 1: Yolande North Courtyard/Hall overview
 Scale: 1/4" = 1'-0"

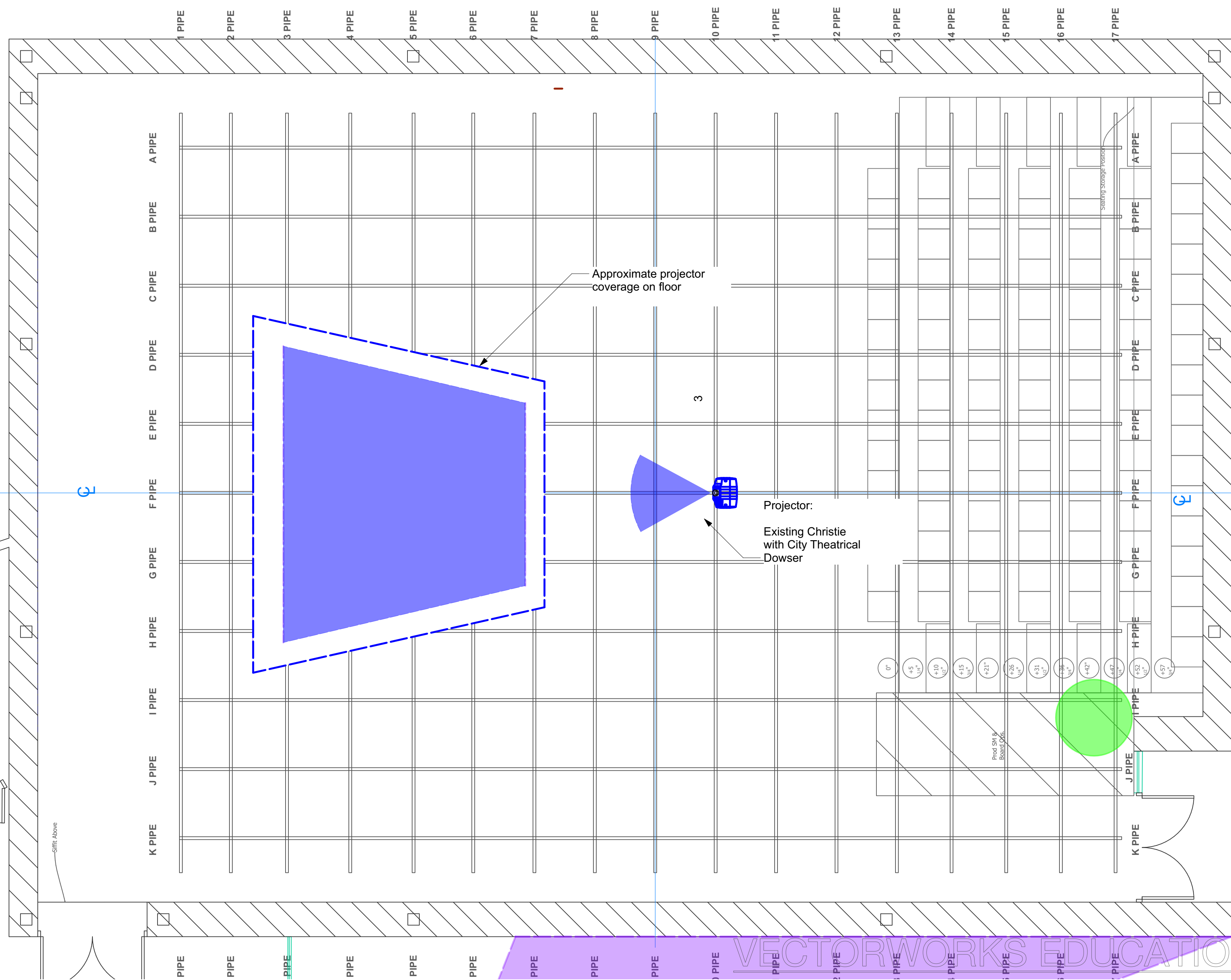
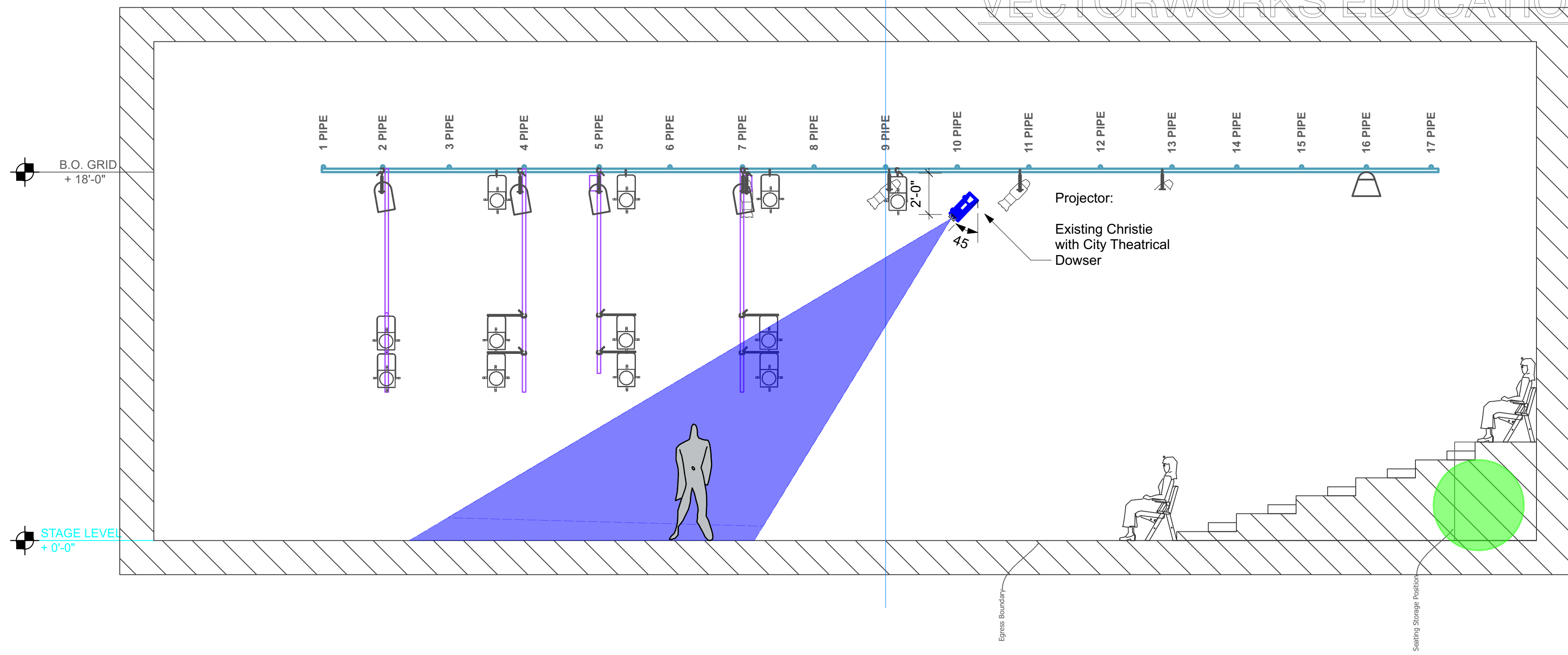
UCSD fallWORKS 2022	
Act 1 / N. Courtyard GP	Date : 10/24/2022
UCSD Wagner Dance Building	Scale : As Noted
Director : Yolande Snaith	3 OF 7
Designer : Ethan Eldred	
Revisions : PRELIMINARY AV	



- Cart 2 Equipment:**
- QSC K10.2
 - Mac with QLab (Video License)
 - 1/8" Aux cable [Mac to QSC K8.2]
 - Epson Pro G7905U 7K 3LCD projector
 - HDMI/DVI [Mac to projector]
 - Wifi Router (5Ghz capable preferred)
 - Cat5e (or higher spec) [Mac to wifi router]

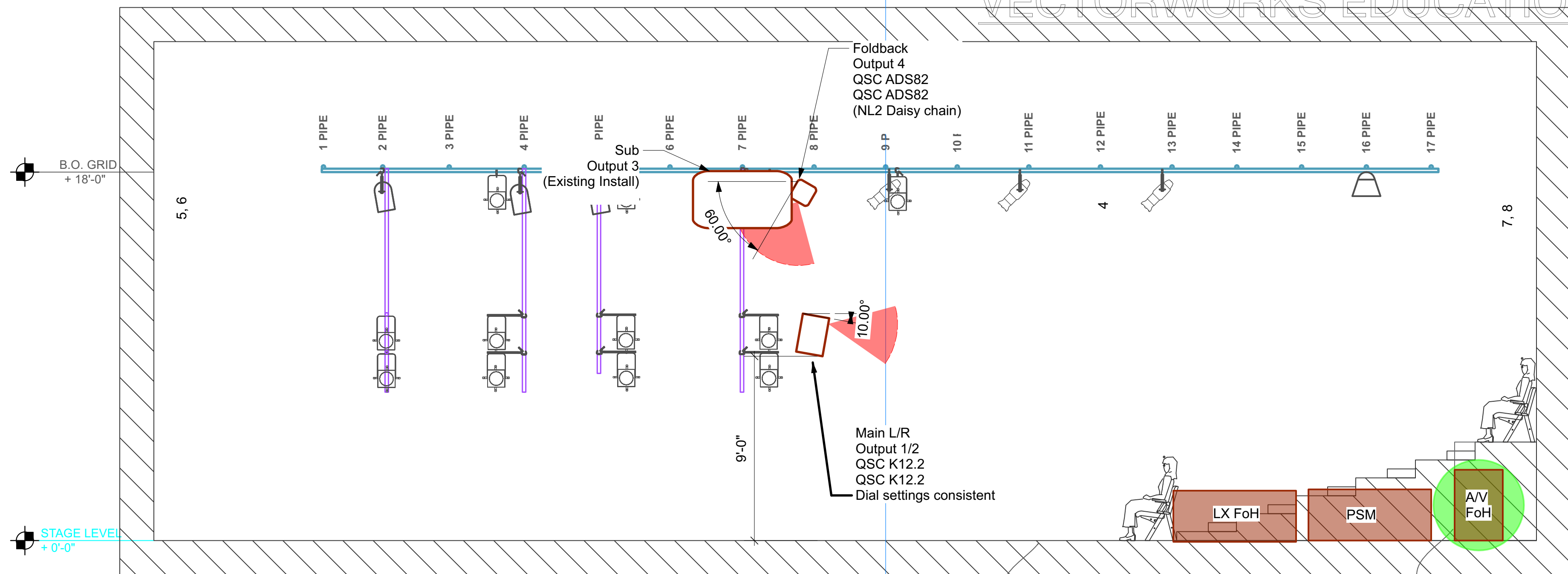


UCSD fallWORKS 2022	
Act 2 / S. Courtyard GP	Date : 10/24/2022
UCSD Wagner Dance Building	Scale : As Noted
Director : Yolande Snaith	4 OF 7
Designer : Ethan Eldred	
Revisions : PRELIMINARY A/V	

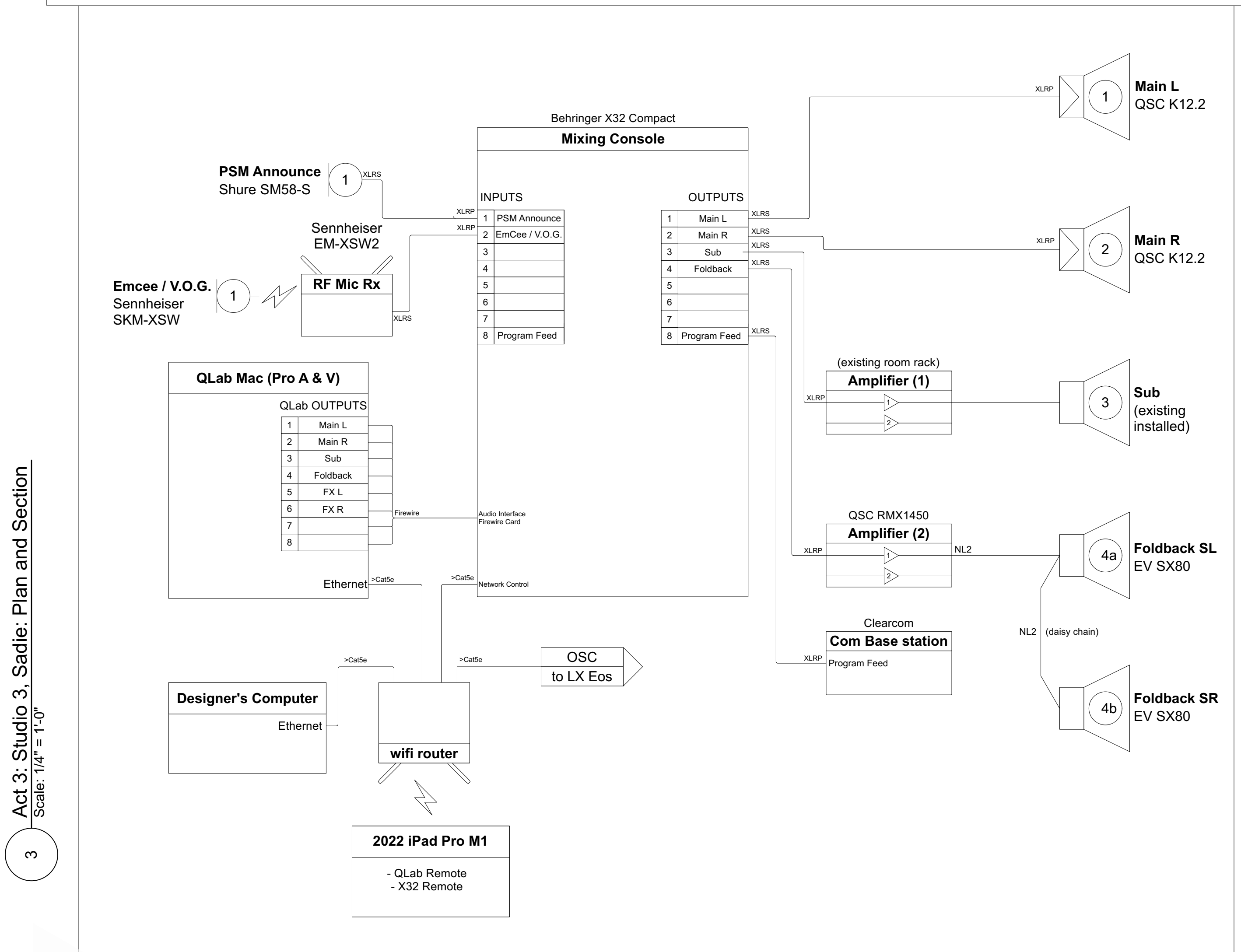


1 Act 3: Studio 3, Sadie: Plan and Section
Scale: 1/4" = 1'-0"

UCSD fallWORKS 2022	
Act 3 / Studio 3 Projection	Date : 10/24/2022
UCSD Wagner Dance Building	Scale : As Noted
Director : Yolande Snaith	5 OF 7
Designer : Ethan Eldred	
Revisions : PRELIMINARY A/V	

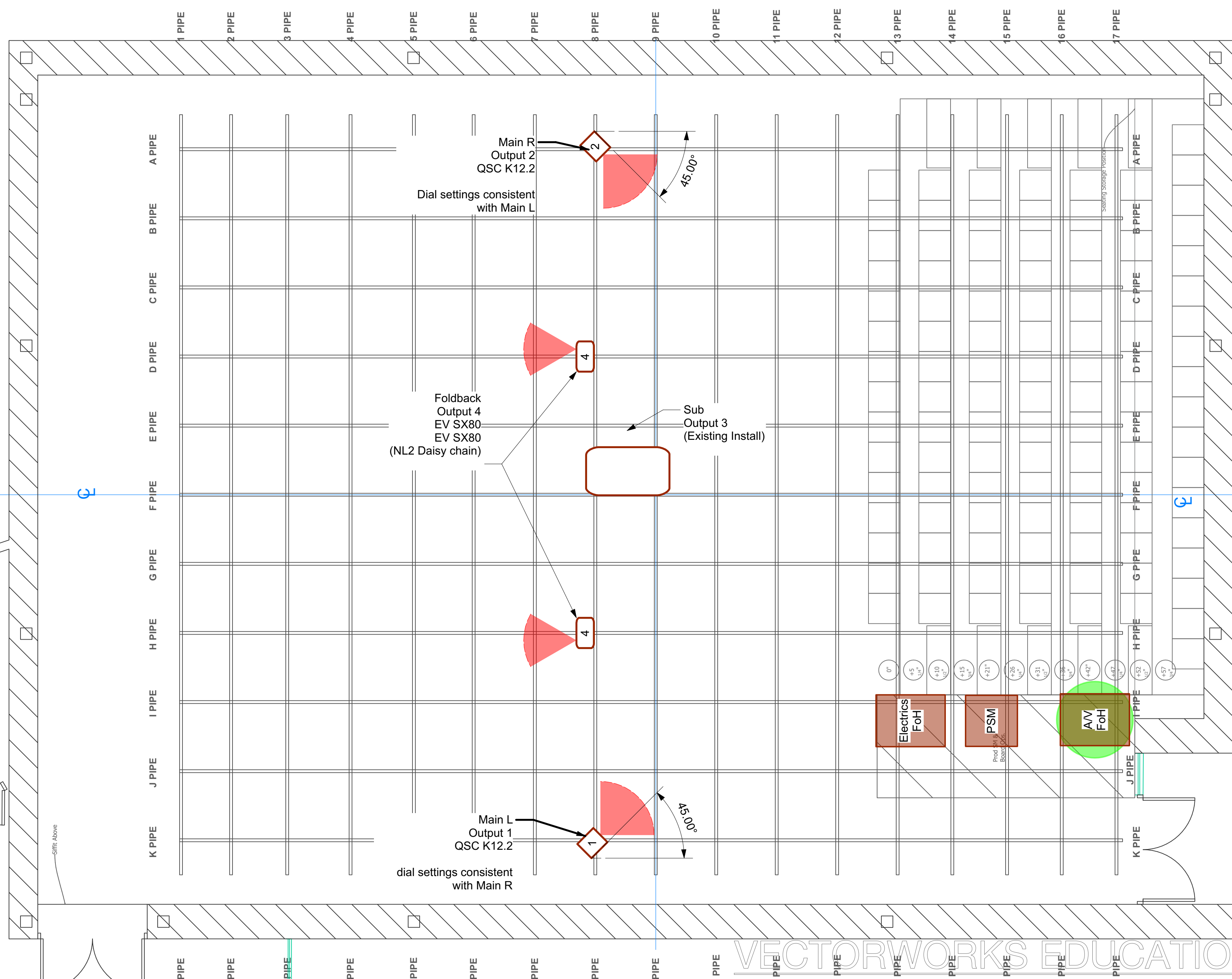


SIGNAL BLOCK DIAGRAM: STUDIO 3 SOUND



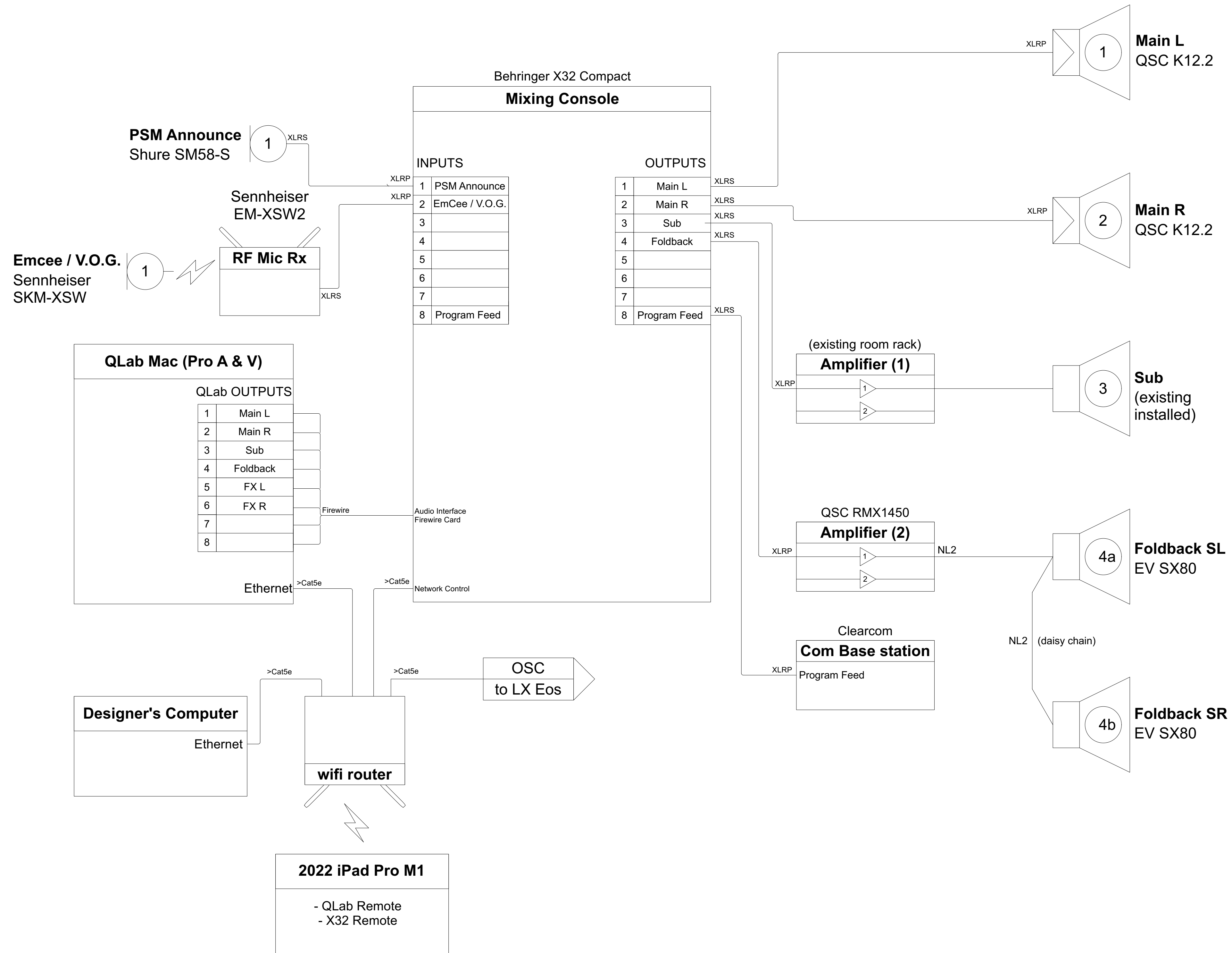
3 Act 3: Studio 3, Sadie: Plan and Section Scale: 1/4" = 1'-0"

4 Studio 3 Signal Block Diagram Scale: 1/4" = 1'-0"



UCSD fallWORKS 2022	
Act 3 / Studio 3 SOUND	Date : 10/24/2022
UCSD Wagner Dance Building	Scale : As Noted
Director : Yolande Snaith	6 OF 7
Designer : Ethan Eldred	
Revisions : PRELIMINARY A/V	

SIGNAL BLOCK DIAGRAM: STUDIO 3 SOUND



2 Studio 3 Signal Block Diagram
 Scale: 3/8" = 1'-0"

UCSD fallWORKS 2022	
Act 3 / Studio 3: Signal Block Diagram	Date : 10/24/2022
UCSD Wagner Dance Building	Scale : As Noted
Director : Yolande Snaith	7 OF 7
Designer : Ethan Eldred	
Revisions : PRELIMINARY AV	